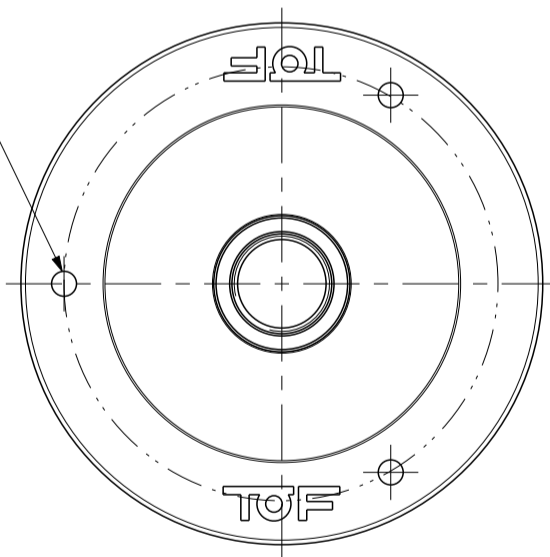
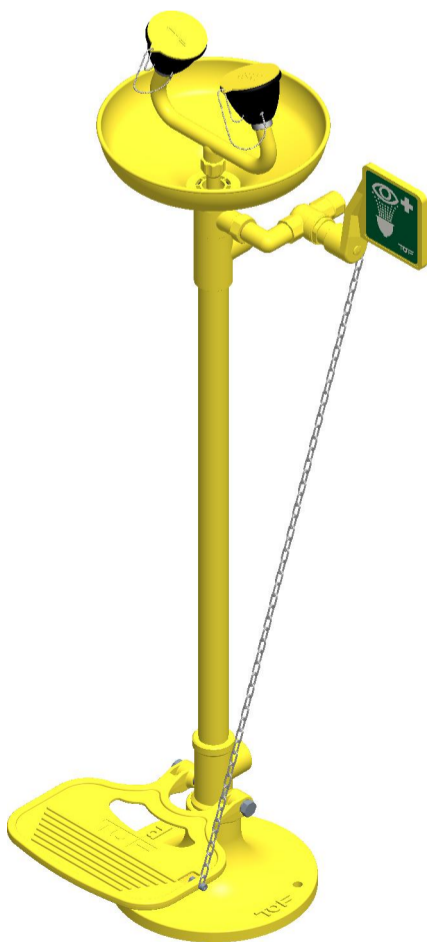



Ø 7.5"
N°3 HOLES Ø 0,43"
AT 120°



- SIGN: ANSI/ISEA Z358.1-2014 - COMPLAINT SIGN
- APPLICATION: COMBINATION EYE/FACE WASH SHOWER SAFETY STATION
- STAY-OPEN SHOWER VALVE INSPECTABLE FOR EASY REFURBISHMENT
- EPOXY COATING ANTI ACID - YELLOW FOR HIGH VISIBILITY
- PIPES MADE IN SCHEDULE 40 GALVANIZED STEEL
- FITTINGS ARE MADE IN BRASS
- SUPPLY 1/2" NPT FEMALE TOP OR SIDE INLET
- WASTE 1" NPT FEMALE OUTLET
- MAX OPERATING PRESSURE: 145 PSI
- PRESSURE TESTING: 45 PSI
- MAX OPERATING TEMPERATURE: 80 °C - 176°F
- MINIMUM PRESSURE SUPPLY: 29 PSI
- EYE-WASHER WATER FLOW: 3,3 GAL/MIN



FILE: 1200_330-D1	PROPRIETARY DESIGN FOR ALL PURPOSES OF LAW		 ITALIAN MANUFACTURERS SINCE 1948		
ARCHIVE: //					
DEP.: MON-L	TOLLERANCES UNI EN ISO 22768-F	○ IMPORTANT QUOTES			
SCALE: 17:100	UNLESS WHERE DIFFERENTLY INDICATED	Ⓝ INDEX OF CHANGE			
MATERIAL: VARIOUS					
RULES:					
DIS.N°: 1200/330-D1		GROUP			
- EMERGENCY SHOWERS					
- FLOOR-MOUNTED EYE-WASHER WITH BOWL AND DUAL CONTROLS					
Rev.	DATE	DESCRIPTION	DIS.	DEL.	RAW PIECE Lbs :
0	03-11-2023	EMISSION	MB	TD	FINISHED PIECE LBS : 13.22
FIRST ISSUE: 13-10-2023					MOLD DESIGN:
NOTE:					FORMAT: A3 PAPER: 1