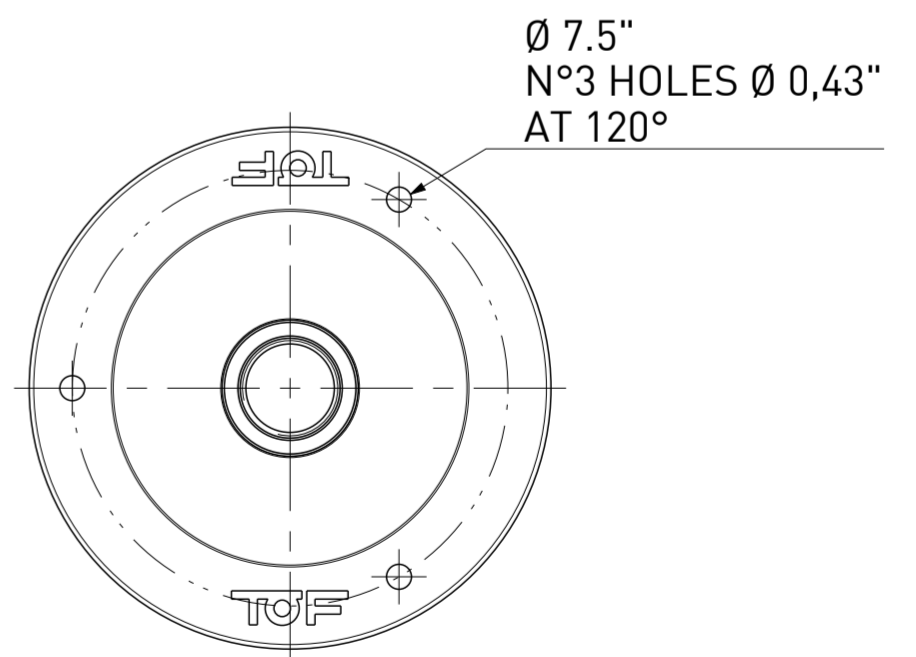
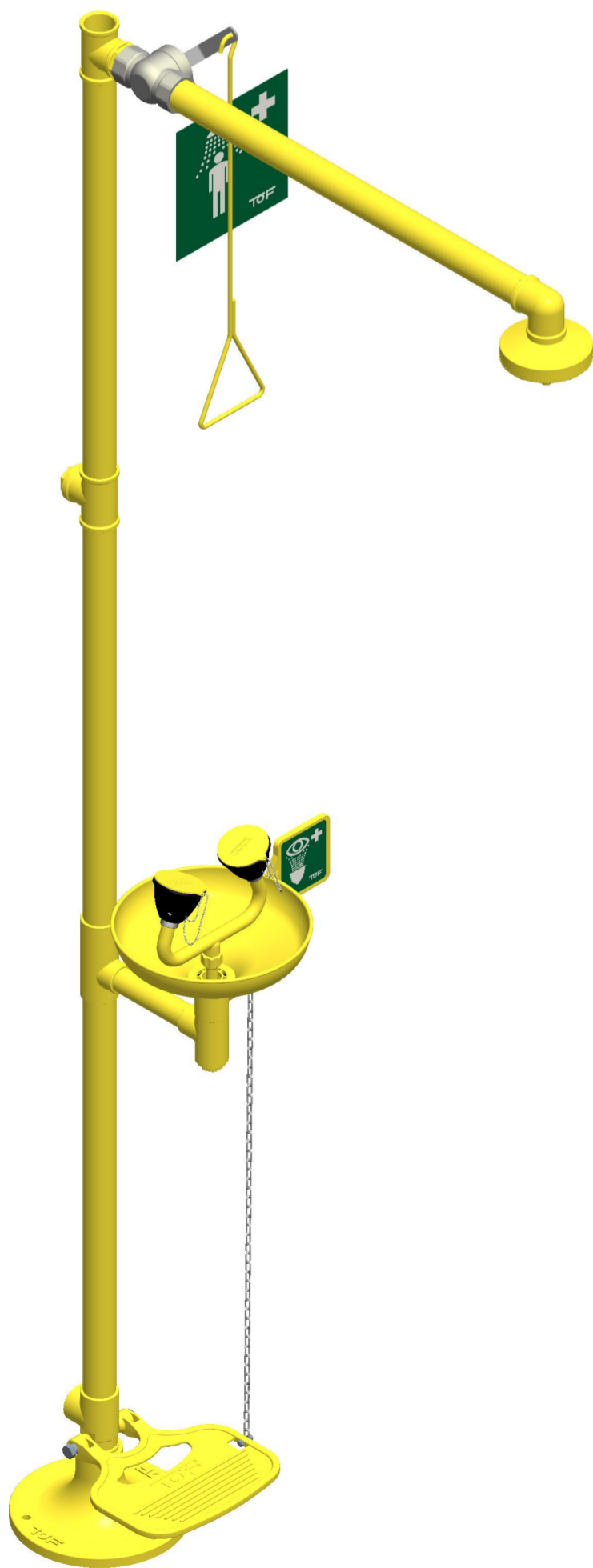



- SIGN: ANSI/ISEA Z358.1-2014 - COMPLAINT SIGN
- APPLICATION: COMBINATION EYE/FACE WASH SHOWER SAFETY STATION
- STAY-OPEN SHOWER VALVE INSPECTABLE FOR EASY REFURBISHMENT
- EPOXY COATING ANTI ACID - YELLOW FOR HIGH VISIBILITY
- PIPES MADE IN SCHEDULE 40 GALVANIZED STEEL
- FITTINGS ARE MADE IN BRASS

- SUPPLY 1"1/4 NPT FEMALE TOP OR SIDE INLET
- WASTE 1"1/4 NPT FEMALE OUTLET
- MAX OPERATING PRESSURE: 145 PSI
- PRESSURE TESTING: 29 PSI
- MAX OPERATING TEMPERATURE: 80 °C - 176°F
- MINIMUM PRESSURE SUPPLY: 29 PSI
- SHOWER HEAD WATER FLOW: 23,8 GAL/MIN
- EYE-WASHER WATER FLOW: 3,3 GAL/MIN



FILE: 1200_680-D1	PROPRIETARY DESIGN FOR ALL PURPOSES OF LAW			 ITALIAN MANUFACTURERS SINCE 1948	
ARCHIVE: //					
DEP.: MON-L	TOLLERANCES UNI EN ISO 22768-F	○ IMPORTANT QUOTES			
SCALE: 13:100	UNLESS WHERE DIFFERENTLY INDICATED	⊕ INDEX OF CHANGE			
MATERIAL: VARIOUS					
RULES:					
<b>DIS.N°: 1200/680-D1</b>		GROUP			
		- EMERGENCY SHOWERS			
- FLOOR MOUNTING BODY/EYES EMERGENCY SHOWER - DOUBLE CONTROL - IN-OUTLET 1"1/4 NPT					
Rev.	DATE	DESCRIPTION	DIS.	DEL.	RAW PIECE Lbs :
4	30-06-2023	CHANGED CODE	MB	TD	FINISHED PIECE LBS : 36.81
FIRST ISSUE: 15-07-2011				MOLD DESIGN:	
NOTE:				FORMAT: A2 PAPER: 1	