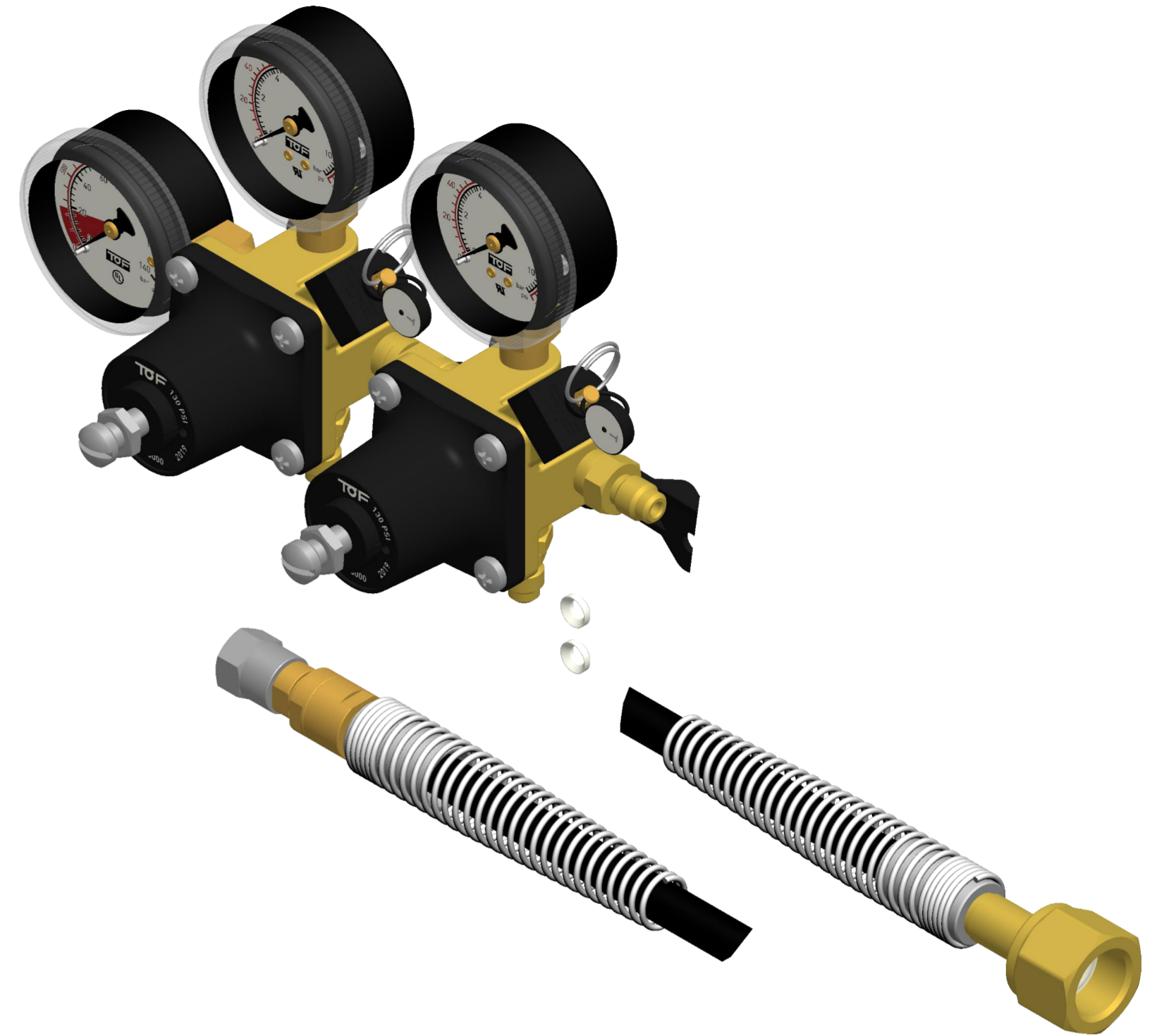
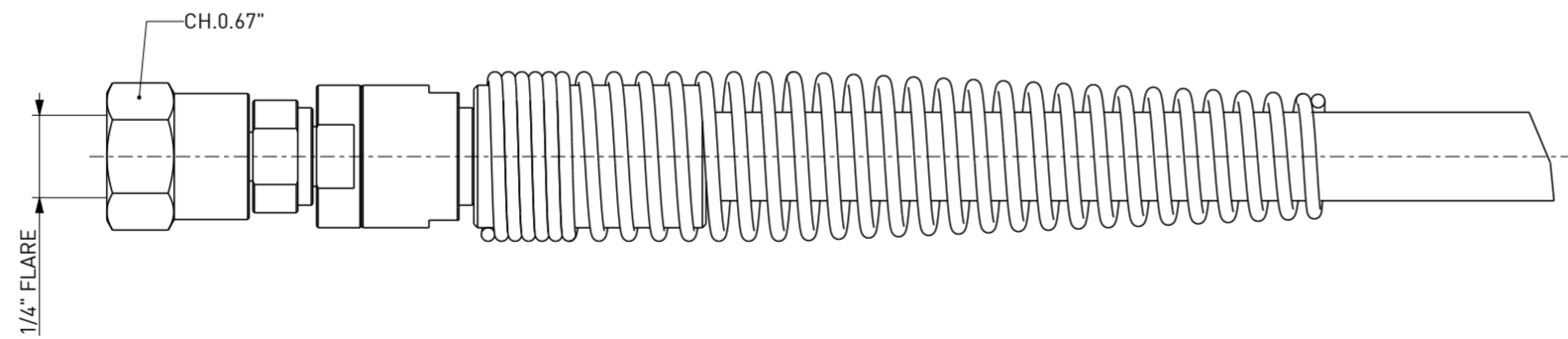
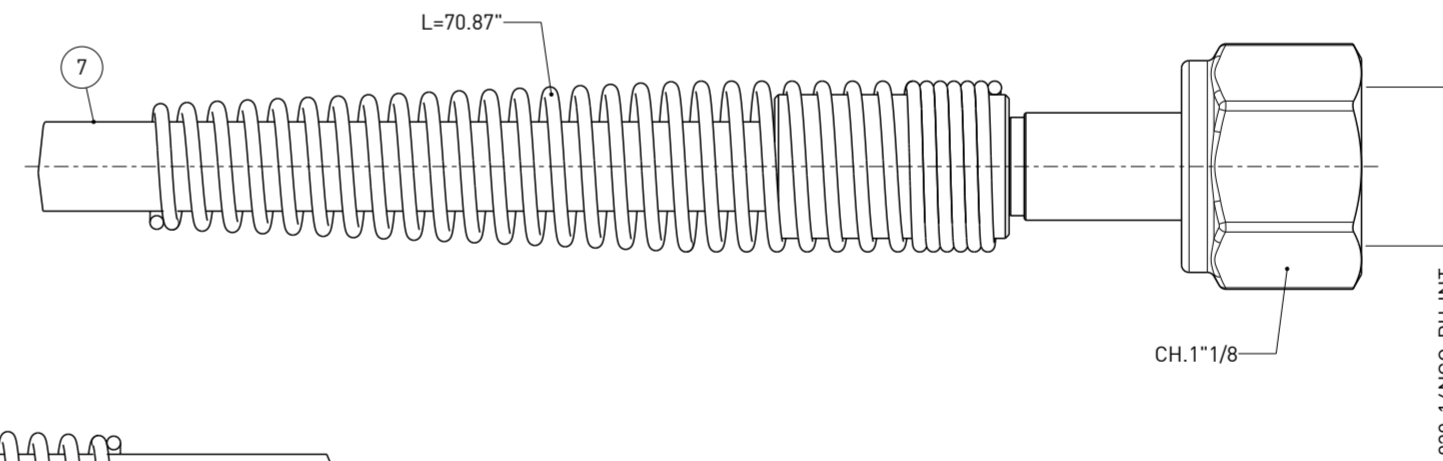
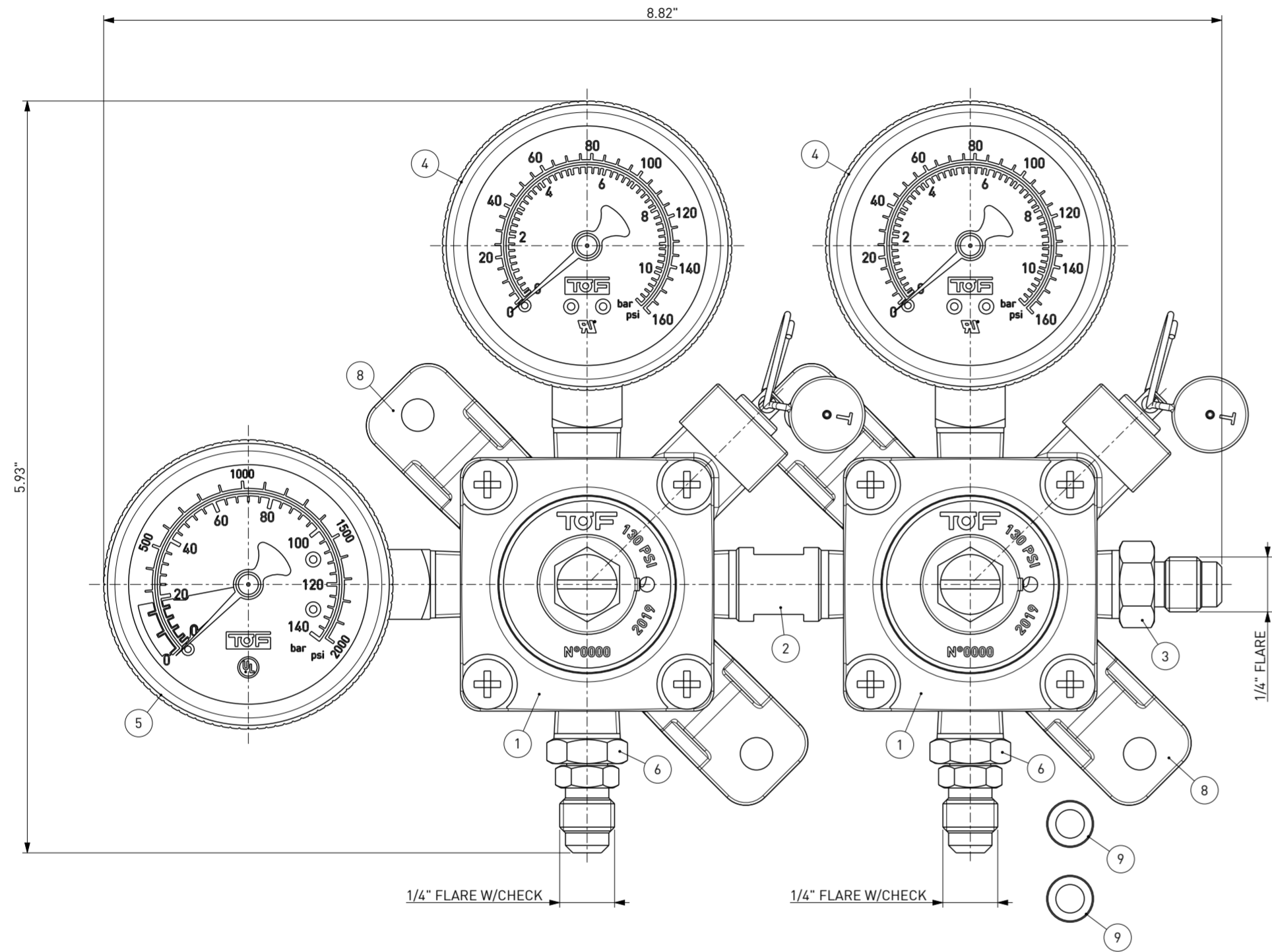



CALIBRATION: 130 PSI



POS.	CODE	N° PZ.	DENOMINATION	MATERIAL
9	80/585	2	1/4" FLARE CONICAL GASKET	PLASTIC
8	23/621-CN1	2	MOUNTING BRACKET KIT	VARIOUS
7	20/627	1	N2 HIGH PRESSURE HOSE - L=1800 - CGA-V1 N°320 CH.1"1/8 - 1/4" FLARE	VARIOUS
6	24/510/17	2	1/4" FLARE WITH CHECK	VARIOUS
5	23/10/100	1	2000 PSI TANK GAUGE - 1/4" NPTF-LH - UL LISTED	VARIOUS
4	23/10/99	2	160 PSI GAUGE - 1/4" NPTF - UL LISTED	VARIOUS
3	24/510/10	1	1/4" FLARE FITTING	BRASS
2	24/510/27	1	CONNECTION FITTING - 1/4" NPTF-LH	BRASS
1	24/509P	2	PRESSURE REGULATOR BODY KIT - 130 PSI - 1/4" NPTF	VARIOUS

FILE: 24PLD_18U8TF	PROPRIETARY DESIGN FOR ALL PURPOSES OF LAW			 ITALIAN MANUFACTURERS SINCE 1948	
ARCHIVE: //	TOLLERANCES UNI EN ISO 22768-F UNLESS WHERE DIFFERENTLY INDICATED				
DEP.: MON-B	IMPORTANT QUOTES				
SCALE: 1:1	INDEX OF CHANGE				
MATERIAL: VARIOUS					
RULES:					
DIS.N°: 24PLD/18U8TF		GROUP			
- CO2 DOUBLE BODY PRIMARY REGULATOR - 130 PSI - 1/4" FLARE CONNECTION FOR HP HOSE					
- 160 PSI AND 2000 PSI GAUGES - OUTLETS 1/4" FLARE WITH CHECK - MOUNTING BRACKETS					
Rev.	DATE	DESCRIPTION	DIS.	DEL.	RAW PIECE Kg :
0	16-05-2022	EMISSION	BR	TD	FINISHED PIECE Kg : 1.999
FIRST ISSUE: 16-05-2022				MOLD DESIGN:	
NOTE:				FORMAT: A2	PAPER: 2