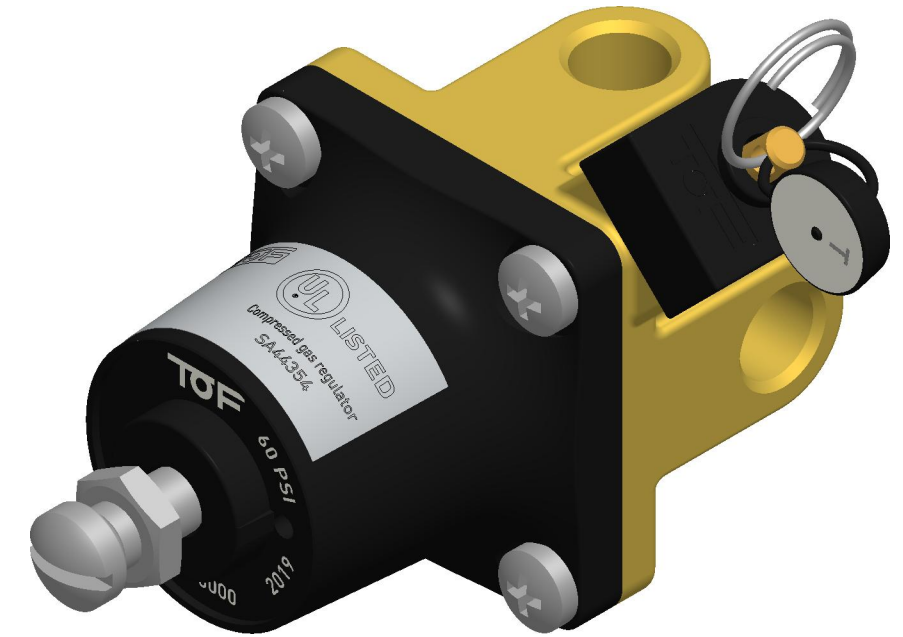
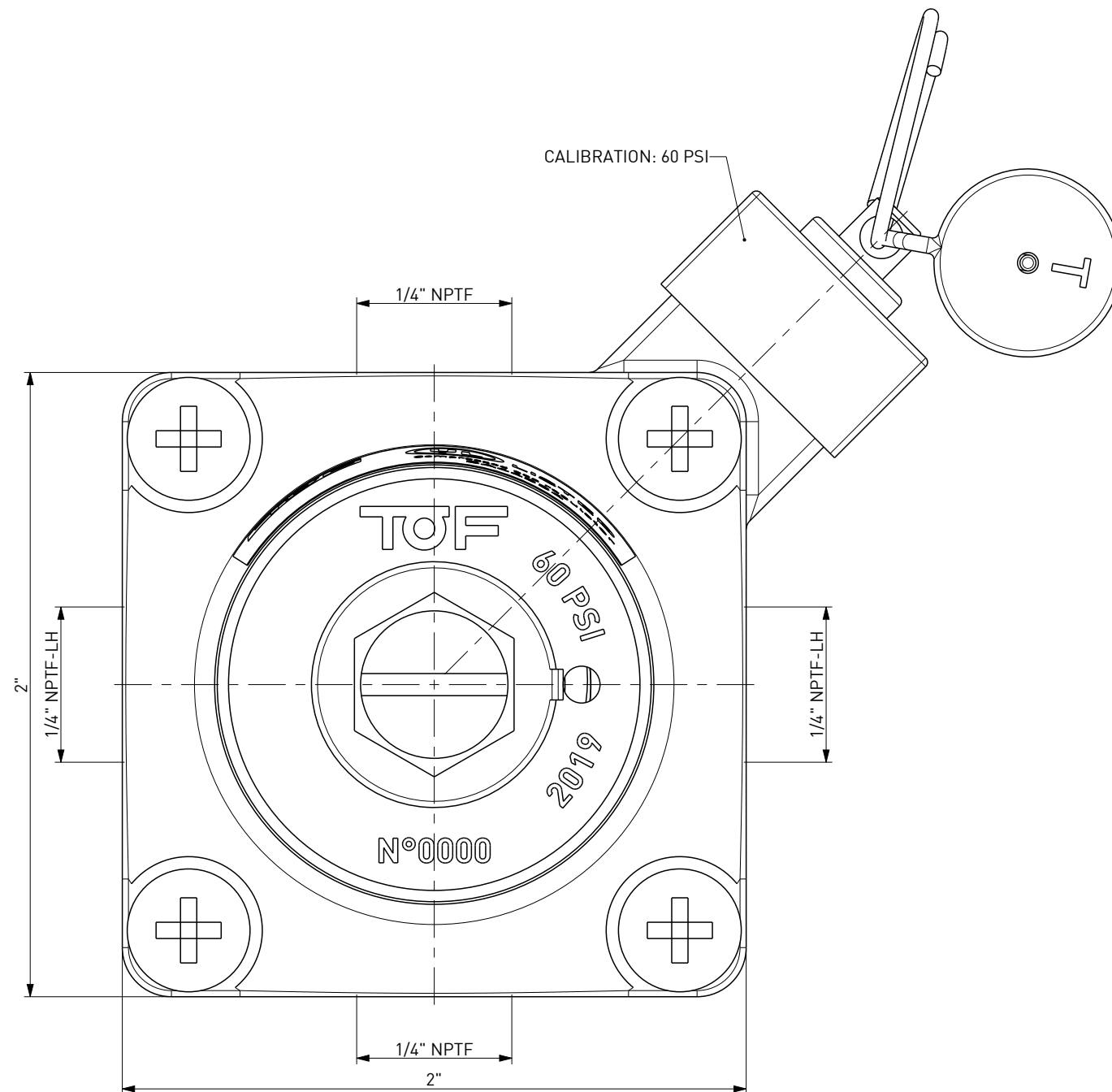



MAX PRESSURE REDUCING VALVE REGULATION= 60 PSI (4,14 BAR)
 SAFETY VALVE INITIAL RELIEF= 66 PSI (4,55 BAR)
 MAX OVERPRESSURE= +10%



TOF **UL LISTED**
 Primary regulator Model: 24/504P Compressed gas regulator
 Inlet pressure Max: 200 bar (2900 psi) SA44354
 Fluid: Carbon dioxide - Nitrogen

FILE: 24_504P	PROPRIETARY DESIGN FOR ALL PURPOSES OF LAW		 ITALIAN MANUFACTURERS SINCE 1948		
ARCHIVE: //					
DEP.: MON-B	TOLLERANCES UNI EN ISO 22768-F UNLESS WHERE DIFFERENTLY INDICATED	<input type="checkbox"/> IMPORTANT QUOTES <input checked="" type="checkbox"/> INDEX OF CHANGE			
SCALE: 2:1					
MATERIAL: VARIOUS					
RULES:					
DIS.N°: 24/504P			GROUP		
- PRESSURE REGULATOR					
- PRESSURE REGULATOR BODY KIT - 60 PSI - 1/4" NPTF					
-					
Rev.	DATE	DESCRIPTION	DIS.	DEL.	RAW PIECE lb :
2	14-04-2016	UPDATE	BR	TD	FINISHED PIECE lb : 1,09
FIRST ISSUE: 20-07-2009					MOLD DESIGN:
NOTE:					FORMAT: A3 PAPER: 5