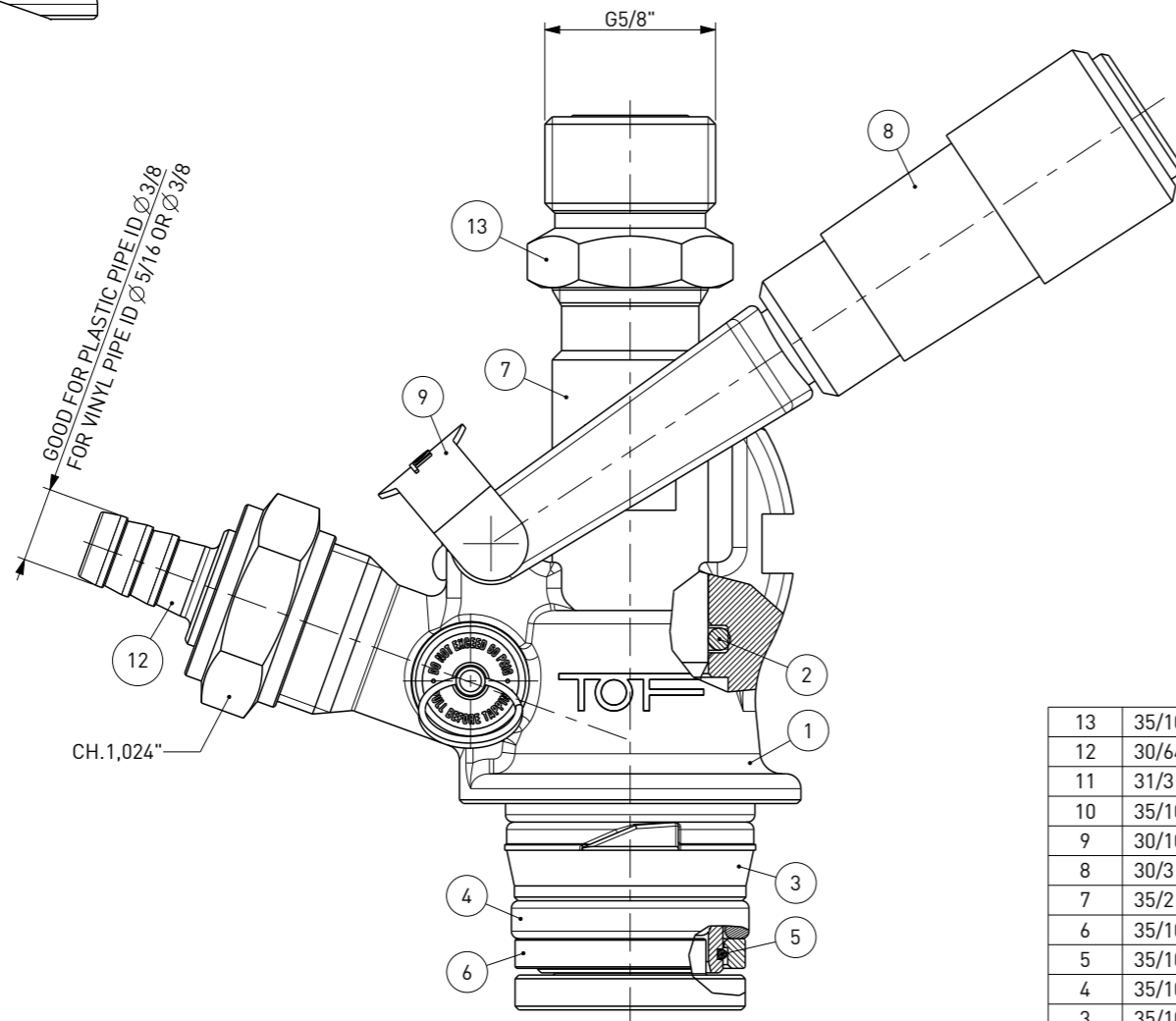
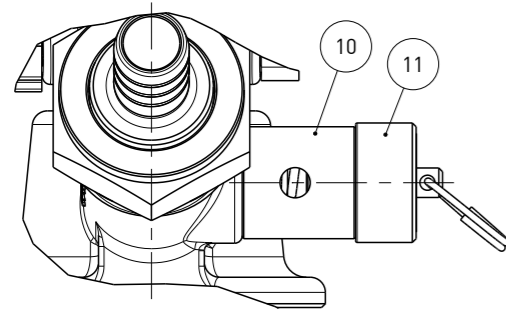


FRONT VIEW



13	35/10/12	1	BEVERAGE FITTING KIT G5/8	CW614N - S.S. AISI 304
12	30/645	1	GAS BARB TAILPIECE SUITABLE FOR Ø3/8 PLASTIC PIPE ID / Ø5/16 OR Ø3/8 VINYL PIPE	VARIOUS
11	31/3	1	RELIEF VALVE KIT 60 PSIG PRV	VARIOUS
10	35/10/9	1	RELIEF VALVE BODY	CW614N
9	30/10/20	1	COUPLER HINGE	STAINLESS STEEL - PA6 NYLON
8	30/3	1	HANDLE ASSEMBLY - BLACK	VARIOUS
7	35/2	1	PROBE TYPE U WITH BALL - G1/2	STAINLESS STEEL AISI 304
6	35/10/5	1	SAFETY RING COVER	CW614N
5	35/10/6	1	SAFETY RING	STAINLESS STEEL AISI 304
4	35/10/7	1	SEAL, BOTTOM	FKM 70 SH RUBBER
3	35/10/2	1	CONNECTION RING TYPE U	CW617N
2	A012	1	O-RING COUPLER PROBE	NBR 70 SH RUBBER
1	35/20/1	1	BODY COUPLER WITH HIGH CORROSION RESISTANCE COATING - G5/8	CW617N
POS.	CODE	N° PZ.	DENOMINATION	MATERIAL

FILE: 35_025G38M1

ARCHIVE: //

DEP.: MON-B

SCALE: 1:1

MATERIAL: VARIOUS

RULES:

DIS.N°: 35/25G38M1

PROPRIETARY DESIGN FOR ALL PURPOSES OF LAW

TOLLERANCES UNI EN ISO 22768-F UNLESS WHERE DIFFERENTLY INDICATED

○ IMPORTANT QUOTES

Ⓜ INDEX OF CHANGE



RULES:

DIS.N°: 35/25G38M1

- U SYSTEM DISPENSE HEADS

GROUP

- KEG COUPLER TYPE U WITH SAFETY VALVE - BLACK HANDLE - G5/8

Rev.	DATE	DESCRIPTION	DIS.	DEL.	RAW PIECE lb :
0	22-10-2018	EMISSION	BR	TD	FINISHED PIECE lb : 1,53
FIRST ISSUE: 25-11-2015					MOLD DESIGN:
NOTE:					FORMAT: A3 PAPER: 4